

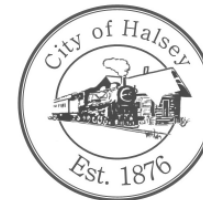
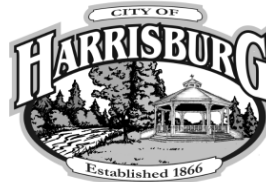


Step #3: COG's work closely with the LOC to broadcast policy objectives and concerns outside and during legislative sessions.



[Six counties included: Marion, Polk Yamhill, Linn, Benton & Lincoln nearly 60 entities]

Step #2: Cities coalesce policy objectives for legislative session in-line with LOC objectives and objectives germane to our area. COG's host annual gathering with local leaders and legislators.



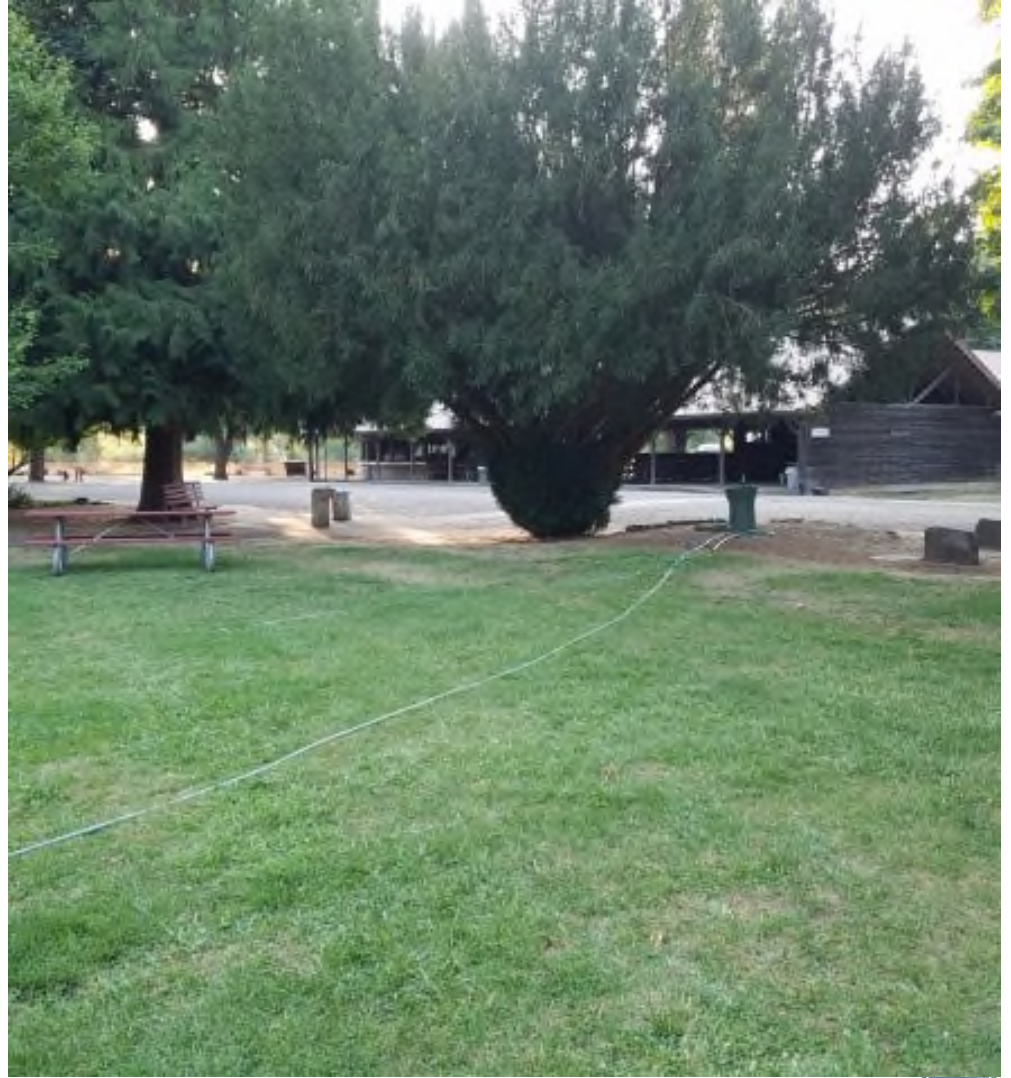
Step #1: Cities from both Councils of Governments develop their individual policy directives and build relationships with State legislative officials.



Playground

Relocation





Reservoirs

Trees



LINN COUNTY, OREGON SCHOOL LAWYER LEGAL, ENGINEERING, OR SURVEYING P

BUTTE ST

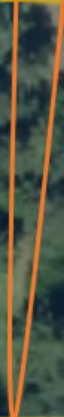
Klinkebiel

Meyers

Reservoirs

AVERILL ST

STANARD AVE

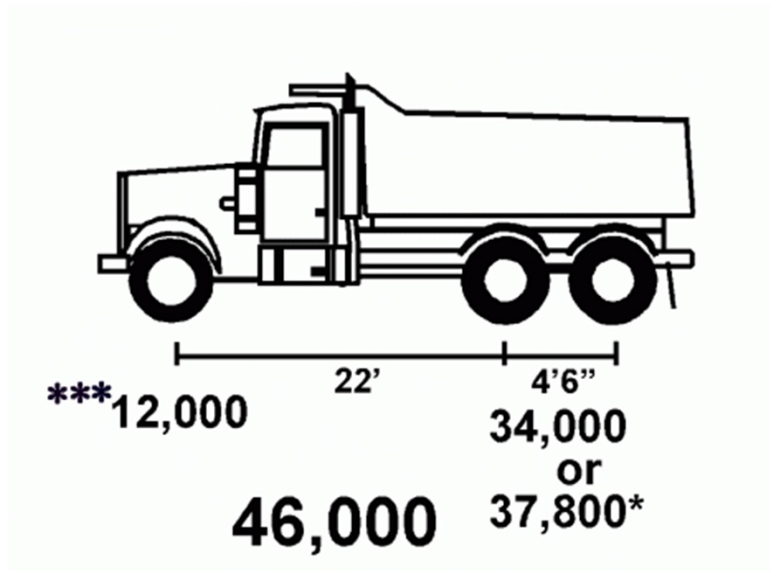
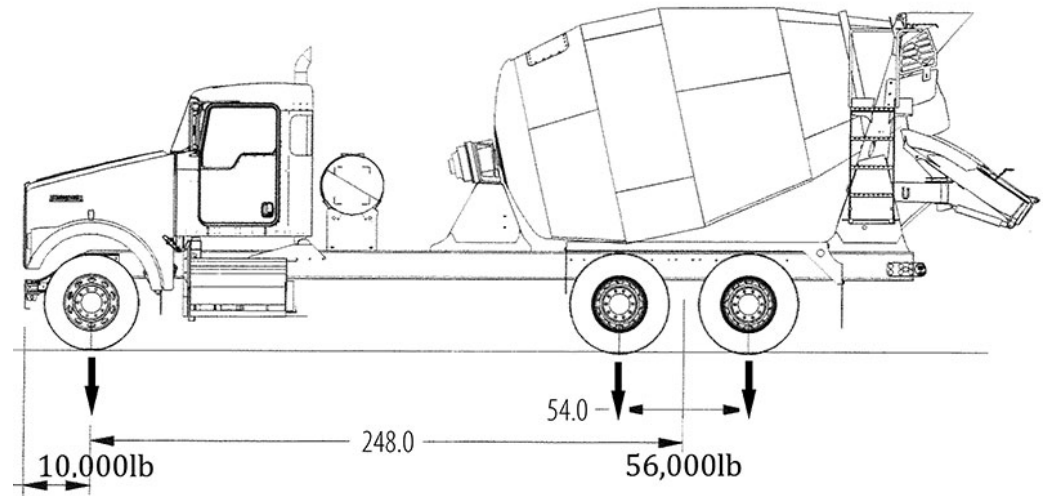
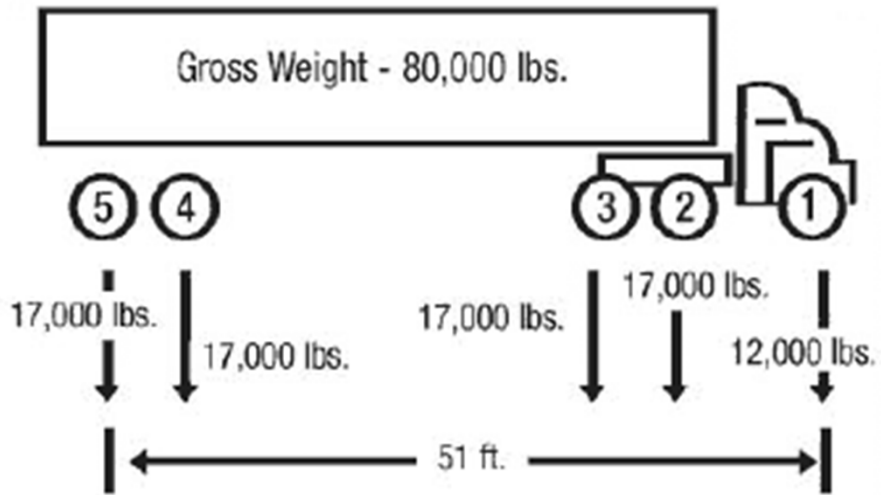












The End

for now...

